

ITI RAC Technician

Year- 1st

Held on - 28/08/2022

Objective Center

YouTube Channel को Subscriber करना न भूलें

Subscribe to our

You  **Channel**



PDF लेने की लिए Telegram से जुड़ें



Railway, SSC, Banking, Police, State Exam etc.

Mechanical, Fitter, Turner, Machinist, Electrician

Candidate Id:

Objective Center

Roll No:

Registration No: **Objective Center** scribe करना न भूलें

YouTube Channel को Subscriber करना न भूलें

Name: **CHERALA RAMU**

Date: **28-Aug-2022**

Batch: **09:00-11:00**

Examination: **REFRIGERATION AND AIR
CONDITIONING TECHNICIAN
Year1**

Duration: **120**

Registered Photo



1) TRADE THEORY

Question No. 1

2.00

Bookmark

What is the colour of acetylene hose pipe in oxy - acetylene welding set?

- (A) Black
- (B) Green (Chosen Option)
- (C) Maroon (Correct Answer)
- (D) Red

Question No. 2

2.00

Bookmark

What is the physical condition of refrigerant in hermetic dome of rotary compressor?

- (A) LP Liquid (Chosen Option)
- (B) HP Vapour (Correct Answer)
- (C) LP Vapour
- (D) HP Liquid

Question No. 3

2.00

Bookmark

Which method is used to check the leakage of hydro fluoro carbon refrigerants?

- (A) Litmus paper
- (B) Electric torch
- (C) Sulphur candles
- (D) Electronic leak detector (Correct Answer) (Chosen Option)

Question No. 4

2.00

Bookmark

What is the process involved for converting AC to DC power supply?

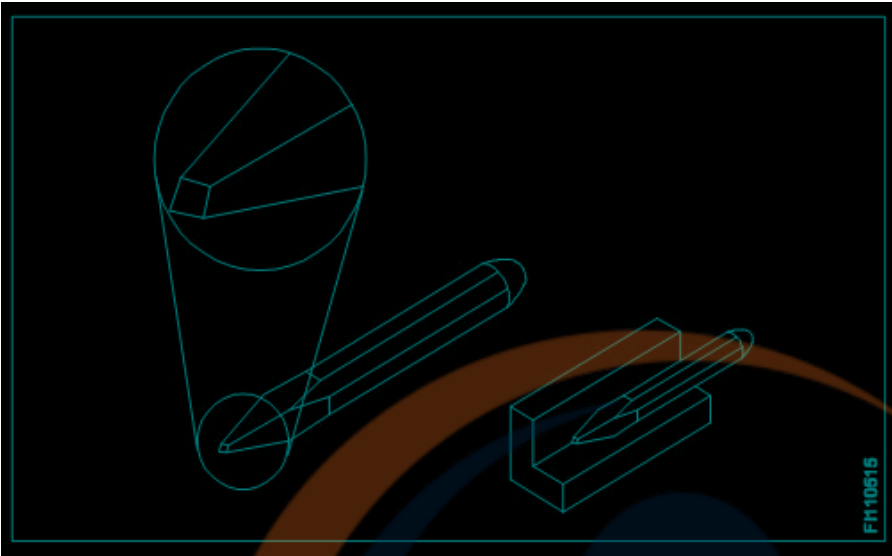
- (A) Inversion (Chosen Option)
- (B) Regulation
- (C) Convection
- (D) Rectification (Correct Answer)

Question No. 5

2.00

Bookmark

What is the type of chisel?



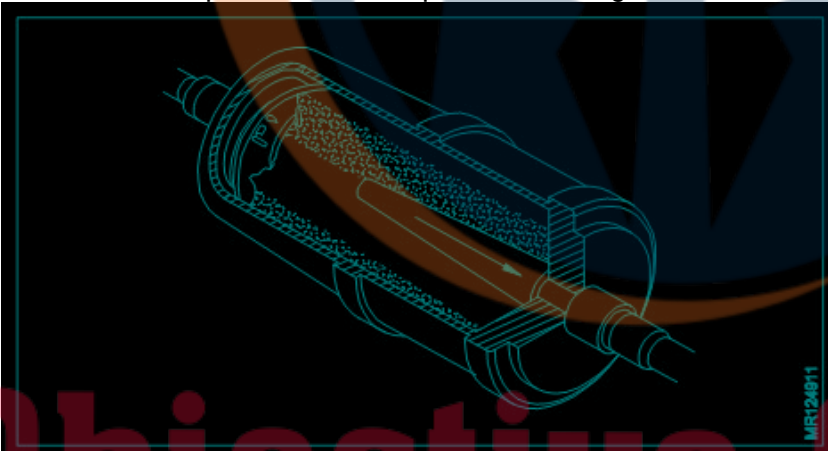
- (A) **Diamond point (Correct Answer)** (Chosen Option)
(B) Cross cut
(C) Flat
(D) Half round

Question No. 6

2.00

Bookmark

What is the component used in liquid line of refrigerator?



- (A) Compressor
(B) **Filter drier (Correct Answer)** (Chosen Option)
(C) Evaporator
(D) Condenser

Question No. 7

2.00

Bookmark

What is the equivalent of one micron in millimetre?

- (A) 0.1 mm
(B) 0.01 mm
(C) **0.001 mm (Correct Answer)** (Chosen Option)
(D) 0.0001 mm

Question No. 8

2.00

Bookmark

Which extinguishes the fire of flammable liquids?

- (A) Oil
- (B) **CO₂ (Correct Answer)** (Chosen Option)
- (C) Water
- (D) Air

Question No. 9

2.00

Bookmark

What is the angle of the tip of centre punch?

- (A) 30°
- (B) 60°
- (C) 120°
- (D) **90° (Correct Answer)** (Chosen Option)

Question No. 10

2.00

Bookmark

Which group the acetylene gas belongs?

- (A) HFC
- (B) **HC (Correct Answer)** (Chosen Option)
- (C) CFC
- (D) HCFC

Question No. 11

2.00

Bookmark

What is the category of R 290 refrigerant?

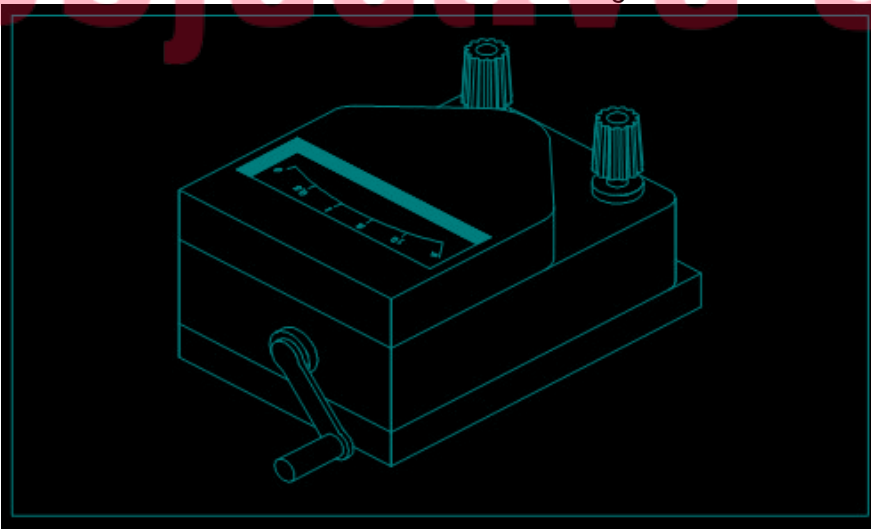
- (A) Azeotropes
- (B) Organic compounds
- (C) **Hydrocarbons (Correct Answer)**
- (D) Halocarbons (Chosen Option)

Question No. 12

2.00

Bookmark

What is the name of instrument used to check high resistance?



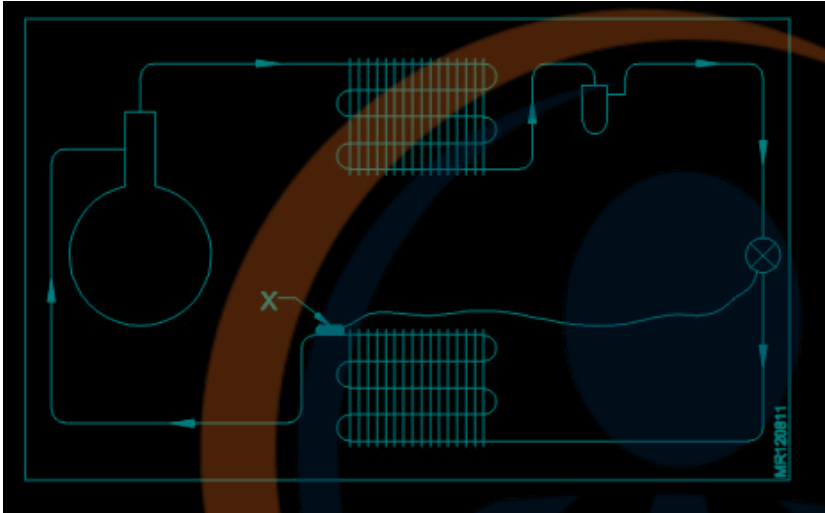
- (A) Wattmeter
- (B) Voltmeter
- (C) **Megger (Correct Answer)** (Chosen Option)
- (D) Ammeter

Question No. 13

2.00

Bookmark

What is the part marked as X in vapour compression system?



- (A) **Feeler bulb (Correct Answer)** (Chosen Option)
- (B) Evaporator
- (C) Capillary tube
- (D) Expansion valve

Question No. 14

2.00

Bookmark

What is the capacity of doing work?

- (A) **Energy (Correct Answer)** (Chosen Option)
- (B) Force
- (C) Work
- (D) Power

Question No. 15

2.00

Bookmark

What is the unit of inductance?

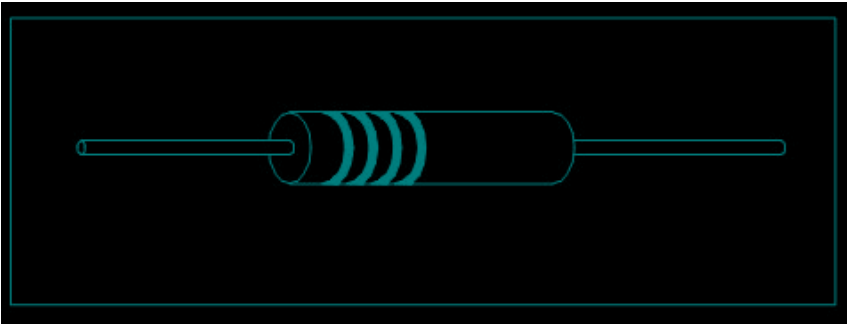
- (A) Farad
- (B) **Henry (Correct Answer)** (Chosen Option)
- (C) Ohm
- (D) Ampere

Question No. 16

2.00

Bookmark

What is the use of component?



- (A) Increases reactance
- (B) **Limits current (Correct Answer)** (Chosen Option)
- (C) Matches impedance
- (D) Regulates voltage

Question No. 17

2.00

Bookmark

Which meter indicates the true power directly in an electrical circuit?

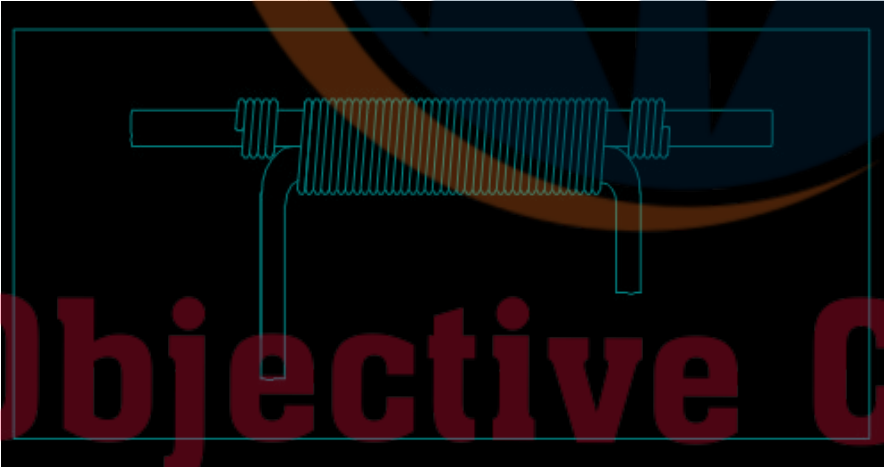
- (A) Ohm meter
- (B) Volt meter (Chosen Option)
- (C) Ammeter
- (D) **Watt meter (Correct Answer)**

Question No. 18

2.00

Bookmark

What is the name of the joint?



- (A) Plain top joint
- (B) **Britannia tee joint (Correct Answer)** (Chosen Option)
- (C) Western union joint
- (D) Britannia joint

Question No. 19

2.00

Bookmark

Which type of insulation material is used in modern refrigerators?

- (A) Saw dust
- (B) **Poly urethane foam (Correct Answer)** (Chosen Option)
- (C) Glass wool
- (D) Thermocol

Question No. 20

2.00

Bookmark

Which tool is used for bending, seaming and forming of sheet metal?

- (A) Bench vice
- (B) **Stakes (Correct Answer)** (Chosen Option)
- (C) Shear
- (D) Hand vice

Question No. 21

2.00

Bookmark

Which property limits the flow of electrons in an electrical circuit?

- (A) Conductance
- (B) **Resistance (Correct Answer)** (Chosen Option)
- (C) Voltage
- (D) Current

Question No. 22

2.00

Bookmark

What is the colour of oxygen hose pipe in oxy - acetylene welding set?

- (A) Green (Chosen Option)
- (B) Maroon
- (C) **Black (Correct Answer)**
- (D) Red

Question No. 23

2.00

Bookmark

What is the least count of a metric micrometer?

- (A) 000.1 mm
- (B) 0.001 mm (Chosen Option)
- (C) **0.01 mm (Correct Answer)**
- (D) 0.1 mm

Question No. 24

2.00

Bookmark

What is the test pressure of cooling coils during manufacture?

- (A) **350 psig (Correct Answer)**
- (B) 450 psig
- (C) 150 psig
- (D) 250 psig (Chosen Option)

Question No. 25

2.00

Bookmark

Which process absorbs heat from the cabinet in refrigerator?

- (A) **Evaporation (Correct Answer)** (Chosen Option)
- (B) Expansion
- (C) Condensation
- (D) Compression

Question No. 26

2.00

Bookmark

What is the process of accumulation of ice on the surface of evaporator?

- (A) Melting of frost
- (B) Evacuating
- (C) **Frosting (Correct Answer)** (Chosen Option)
- (D) Defrosting

Question No. 27

2.00

Bookmark

Which joint is made in either single or multi - strand conductors?

- (A) **Rat tail joint (Correct Answer)**
- (B) Britannia joint
- (C) Scarfed joint
- (D) Western union joint (Chosen Option)

Question No. 28

2.00

Bookmark

Which type of drier filter is suitable for HFC refrigerants?

- (A) **Molecular sieve type (Correct Answer)**
- (B) Silica gel
- (C) Activated alumina (Chosen Option)
- (D) Activated carbon

Question No. 29

2.00

Bookmark

Which is the green house gas?

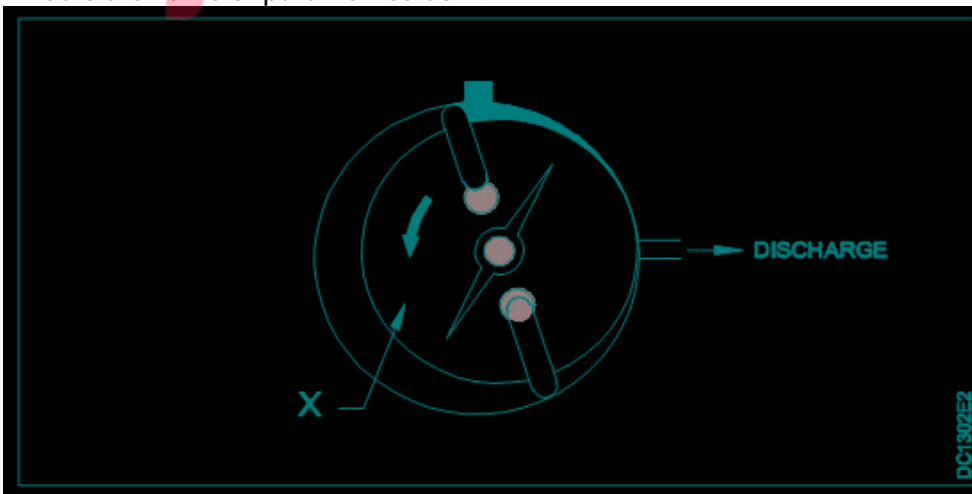
- (A) **Chlorofluoro carbon in air (Correct Answer)**
- (B) Oxygen of atmospheric air (Chosen Option)
- (C) Neon of atmospheric air
- (D) Helium of atmospheric air

Question No. 30

2.00

Bookmark

What is the name of part marked as X?



- (A) Cylinder
- (B) Piston
- (C) Vane
- (D) **Rotor (Correct Answer)** (Chosen Option)

Question No. 31

2.00

Bookmark

Which component switches ON/OFF the starting winding in RSIR motor?

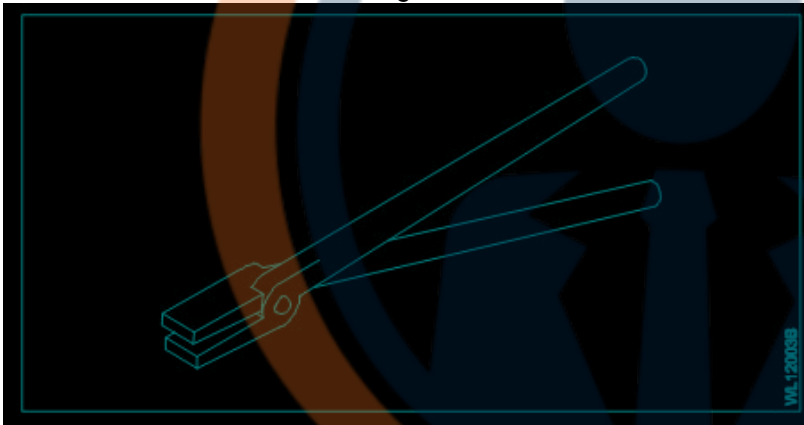
- (A) **Relay (Correct Answer)**
- (B) Thermostat
- (C) Capacitor
- (D) OLP (Chosen Option)

Question No. 32

2.00

Bookmark

What is the tool used for holding hot metals?



- (A) Pipe vice
- (B) Bench vice (Chosen Option)
- (C) Spanner
- (D) **Tongs (Correct Answer)**

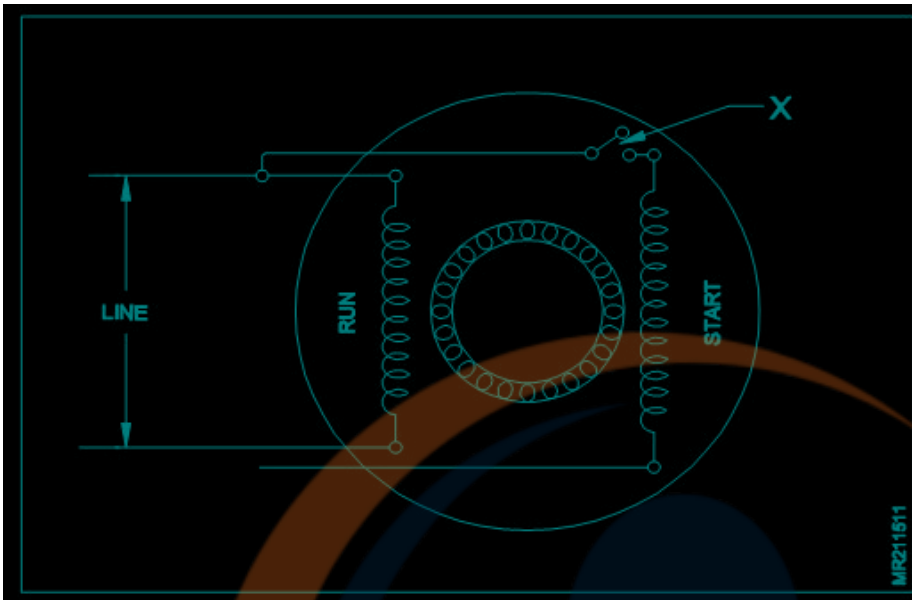
Question No. 33

2.00

Bookmark

What is the name of part marked as X?

Objective Center



- (A) Stator
- (B) Main winding
- (C) Rotor
- (D) Centrifugal switch (Correct Answer) (Chosen Option)

Question No. 34

2.00

Bookmark

Which sheet is used to check the tightness of door gasket of a refrigerator?

- (A) Plastic (Correct Answer) (Chosen Option)
- (B) Copper
- (C) Zinc
- (D) Rubber

Question No. 35

2.00

Bookmark

Which flame is used for welding brass?

- (A) Wide flame
- (B) Oxidizing flame (Correct Answer)
- (C) Carburizing flame (Chosen Option)
- (D) Neutral flame

Question No. 36

2.00

Bookmark

What is the category of R 407c refrigerant?

- (A) Inorganic
- (B) Zeotropes (Correct Answer) (Chosen Option)
- (C) Organic
- (D) Azeotropes

Question No. 37

2.00

Bookmark

What is the physical state of refrigerant at the outlet of condenser in vapour compression cycle?

- (A) Low pressure liquid (Chosen Option)

- (B) High pressure vapour
(C) Low pressure vapour
(D) **High pressure liquid (Correct Answer)**

Question No. 38

2.00

Bookmark

Which law is related to the constant PV at constant T?

- (A) **Boyle's law (Correct Answer) (Chosen Option)**
(B) Charles law
(C) Pascal's law
(D) Renaults law

2) WORKSHOP CALCULATIONS AND SCIENCE

Question No. 39

2.00

Bookmark

What are the two classifications of system of units?

- (A) Gravitational and non-gravitational
(B) Metric and International
(C) British and Metric
(D) **Fundamental and derived (Correct Answer) (Chosen Option)**

Question No. 40

2.00

Bookmark

What is the square root of 529?

- (A) **23 (Correct Answer) (Chosen Option)**
(B) 43
(C) 13
(D) 33

Question No. 41

2.00

Bookmark

How many watts for 1 horse power in British system?

- (A) **746 watts (Correct Answer) (Chosen Option)**
(B) 756 watts
(C) 726 watts
(D) 736 watts

Question No. 42

2.00

Bookmark

What is known for the temperature at which any solid melts into liquid?

- (A) Boiling point
(B) Latent heat of fusion
(C) Latent heat of vaporisation
(D) **Melting point (Correct Answer) (Chosen Option)**

Question No. 43

2.00

Bookmark

Which one is heat insulator?

- (A) Copper (Chosen Option)
- (B) Aluminium
- (C) Brass
- (D) **Thermocol (Correct Answer)**

Question No. 44

2.00

Bookmark

What denotes letter 'M' in MKS system?

- (A) **Meter (Correct Answer)** (Chosen Option)
- (B) Mile
- (C) Micron
- (D) Millimeter

3) ENGINEERING DRAWING

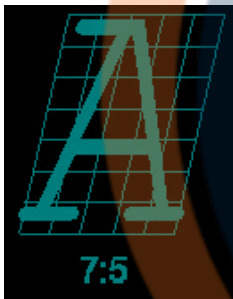
Question No. 45

2.00

Bookmark

Which single stroke inclined letter 'A' is correct as per IS standard?

(A)

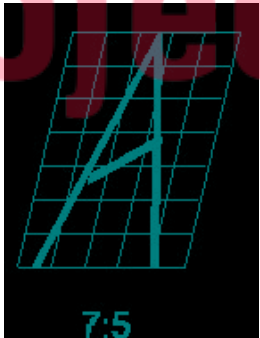


(B)



(Correct Answer) (Chosen Option)

(C)



(D)

Objective Center

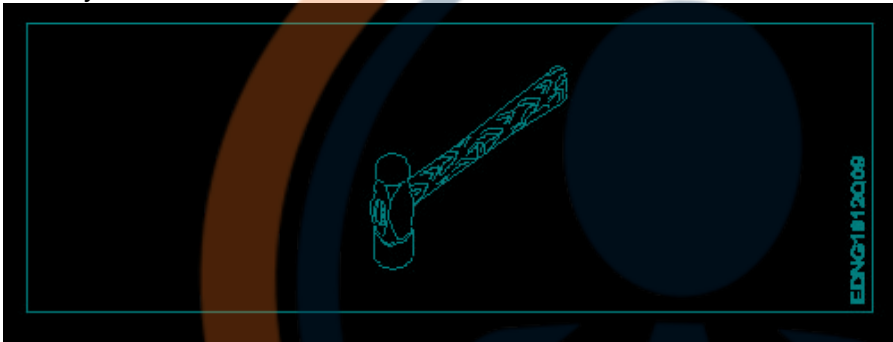


Question No. 46

2.00

Bookmark

Identify the name of tool?



- (A) Cross pein hammer
- (B) **Ball peen hammer (Correct Answer)** (Chosen Option)
- (C) Straight pein hammer
- (D) Sledge hammer

Question No. 47

2.00

Bookmark

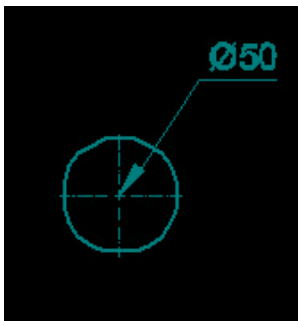
Which dimension correctly marked in the circle as per standard?

(A)



(Correct Answer)

(B)

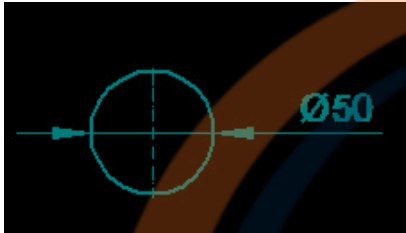


(C)



(Chosen Option)

(D)



Question No. 48

2.00

Bookmark

Identify the name of tool?



(A) Staright pein hammer (Chosen Option)

(B) Cross pein hammer

(C) Mallet (Correct Answer)

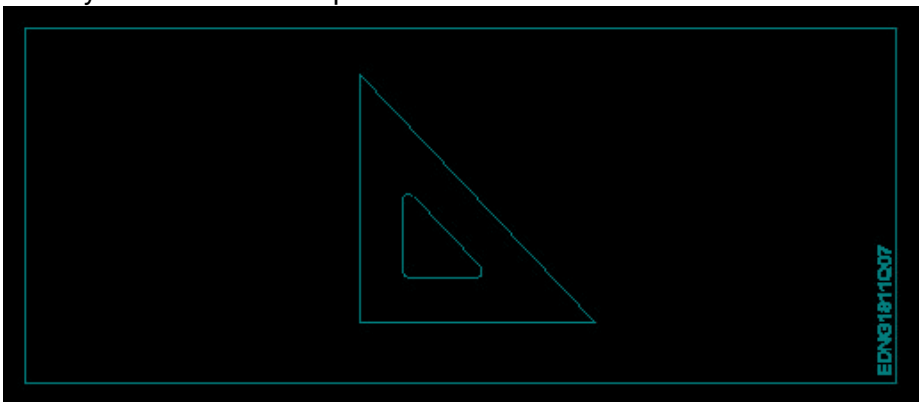
(D) Ball pein hammer

Question No. 49

2.00

Bookmark

Identify the name of set square?



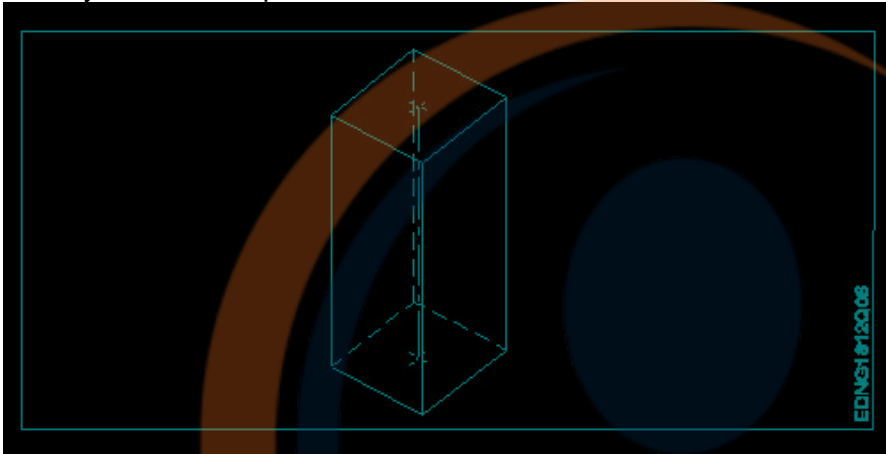
- (A) 15° set square
- (B) 60° set square (Chosen Option)
- (C) 30° set square
- (D) 45° set square (Correct Answer)

Question No. 50

2.00

Bookmark

Identify the name of prism?



- (A) Square prism (Correct Answer) (Chosen Option)
- (B) Rectangle prism
- (C) Hexagonal prism
- (D) Triangular prism

4) EMPLOYABILITY SKILLS

Question No. 51

2.00

Bookmark

Which one is a "Do's" of discussion etiquettes?

- (A) Listen to others (Correct Answer) (Chosen Option)
- (B) Talk about irrelevant details
- (C) Loose your temper
- (D) Use impolite or rude language

Question No. 52

2.00

Bookmark

An illegal activity committed on the internet is called_____

- (A) social networking
- (B) cyber crime (Correct Answer) (Chosen Option)
- (C) virus
- (D) search engine

Question No. 53

2.00

Bookmark

Which of these is a sign of good stress?

- (A) Does not lead to long-term tension, loss of sleep. (Correct Answer) (Chosen Option)
- (B) It prevents you from pursuing your goals.
- (C) Makes you physically ill or causes pain.

(D) It makes you doubt yourself.

Question No. 54

2.00

Bookmark

_____ is the brain of the computer.

- (A) Keyboard
- (B) **Central Processing unit (CPU) (Correct Answer)** (Chosen Option)
- (C) Window
- (D) Desktop

Question No. 55

2.00

Bookmark

Feedback helps to _____.

- (A) Improve the service
- (B) Modify the process or system
- (C) Meet customer satisfaction better
- (D) **All of the above (Correct Answer)** (Chosen Option)

Question No. 56

2.00

Bookmark

For medium manufacturing enterprises, the investment in plant and machinery is between....

- (A) **5 Crores to 10 Crores (Correct Answer)**
- (B) 10 Lakhs to 2 Crores (Chosen Option)
- (C) 2 Crores to 5 Crores
- (D) 25 Lakhs to 5 Crores

Question No. 57

2.00

Bookmark

A good way to respond to the question 'Shall we start the discussion?' is _____.

- (A) To conclude
- (B) To sum up
- (C) **Yes, let's start. (Correct Answer)** (Chosen Option)
- (D) But, don't you think?

Question No. 58

2.00

Bookmark

The minimum age qualification for apprenticeship training is _____

- (A) 21 years
- (B) **14 years (Correct Answer)**
- (C) 15 years (Chosen Option)
- (D) 18 years

Question No. 59

2.00

Bookmark

Fill in the blank with correct word. "They _____ good friends"

- (A) am
- (B) was
- (C) **are (Correct Answer)** (Chosen Option)

(D) is

Question No. 60

2.00

Bookmark

What is a shortcut key for "cut" command?

- (A) Ctrl + A
- (B) **Ctrl + X (Correct Answer)** (Chosen Option)
- (C) Ctrl + V
- (D) Ctrl + C

Question No. 61

2.00

Bookmark

The expansion of SIDO is.....

- (A) Small Investment Development Organization
- (B) Small Income Development Organization
- (C) **Small Industries Development Organization (Correct Answer)**
- (D) Standard Industry Development Organization (Chosen Option)

Question No. 62

2.00

Bookmark

Paid form of ideas, goods and services are called.....

- (A) **advertisement (Correct Answer)** (Chosen Option)
- (B) goodwill
- (C) public relation
- (D) publicity

Question No. 63

2.00

Bookmark

Which one is NOT an article?

- (A) **in (Correct Answer)** (Chosen Option)
- (B) a
- (C) the
- (D) an

Question No. 64

2.00

Bookmark

Which formula is correct to quantify the quality?

- (A) $E = E/P$
- (B) **$Q = P/Q$ (Correct Answer)** (Chosen Option)
- (C) $P = Q/P$
- (D) $Q = Q/E$

Question No. 65

2.00

Bookmark

Fill in the blank with proper pronoun. "She made this cake _____"

- (A) itself
- (B) himself
- (C) myself

(D) herself (Correct Answer) (Chosen Option)

Question No. 66

2.00

Bookmark

Which factor is NOT concerned with occupational health and safety?

- (A) Health
- (B) Salary (Correct Answer)
- (C) Safety
- (D) Welfare (Chosen Option)

Question No. 67

2.00

Bookmark

Which market determines the real wages and employment?

- (A) Goods market
- (B) Capital market
- (C) Money market
- (D) Labour market (Correct Answer) (Chosen Option)

Question No. 68

2.00

Bookmark

Which one is a file management tool that comes with windows?

- (A) Control panel
- (B) Desktop
- (C) Window explorer (Correct Answer) (Chosen Option)
- (D) Notepad

Question No. 69

2.00

Bookmark

In face to face communication, body language accounts for _____

- (A) 100%
- (B) 55% (Correct Answer) (Chosen Option)
- (C) 7%
- (D) 38%

Question No. 70

2.00

Bookmark

Which amount does include in "wages" amount as per payment wages Act?

- (A) Any remuneration payable in respect of overtime
- (B) Any remuneration payable under any award
- (C) Dearness allowance (Correct Answer) (Chosen Option)
- (D) Any travelling allowances

Question No. 71

2.00

Bookmark

Expansions of SMS is _____

- (A) Simple Message Service
- (B) Short Mail Service (Chosen Option)
- (C) Short Message Service (Correct Answer)

Objective Center

YouTube Channel को Subscriber करना न भूलें

(D) Simple Memo Service

Question No. 72

2.00

Bookmark

What is the name used for word "waste"?

- (A) MURA
(B) MUSA
(C) **MUDA (Correct Answer)** (Chosen Option)
(D) MURI

Question No. 73

2.00

Bookmark

Which one is the latest and effective means of modern communication?

- (A) Fax
(B) Postal mail
(C) **Electronic mail (Correct Answer)**
(D) Message through TV (Chosen Option)

Question No. 74

2.00

Bookmark

Which of these expenses are incurred when we move to a new city?

- (A) Buying shoes
(B) Buying new clothes
(C) **Rent of an accommodation (Correct Answer)** (Chosen Option)
(D) Buying books

Question No. 75

2.00

Bookmark

MSME stands for.....

- (A) **Micro, Small and Medium Enterprises (Correct Answer)** (Chosen Option)
(B) Minor, Small and Medium Enterprises
(C) Macro, Small and Medium Enterprises
(D) Micro, Scale and Medium Enterprises

Objective Center

YouTube Channel को Subscriber करना न भूलें

Subscribe to our
You Tube Channel



**Objective
Center**



PDF लेने की लिए Telegram से जुड़ें

Railway, SSC, Banking, Police, State Exam etc.

Mechanical, Fitter, Turner, Machinist, Electrician



Join our
Telegram
Channel



Telegram Group
for Discussion



Find us on
YouTube



Electrician
Channel & Group



**MECHANICAL
ENGINEERING**
Fitter, Turner & Machinist



Follow us on
Instagram



Follow us on
ShareChat



follow us on
twitter